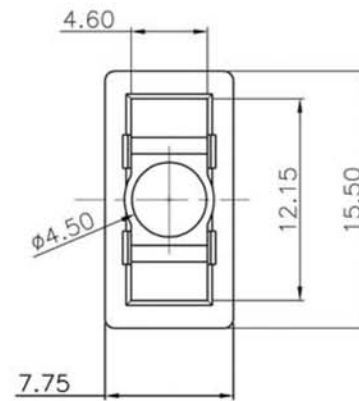
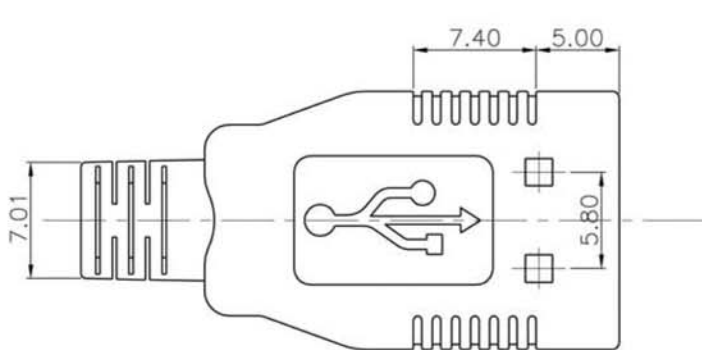




NOTES
 MATERIAL: PVC
 COLOR:BLACK/WHITE/BROWN/BEIGE-----
 BURR: 0.05mm MAX. ON CONTACT AREA.



ITEM NO
 A-USBPA-HOOD-R

TITLE
 Hoods for USB-Assembly, Type A, Male

ASSMANN
 Electronics, Inc.
 1840 W. Drake Drive, Suite 101 - Tempe, AZ 85283
 Toll Free: 1-877-277-6266 Email: info@usa-assmann.com

THIS DRAWING IS UNPUBLISHED
 © Copyright 2008 by Assmann Electronic Components
 All International Rights Reserved